

FEATURES:

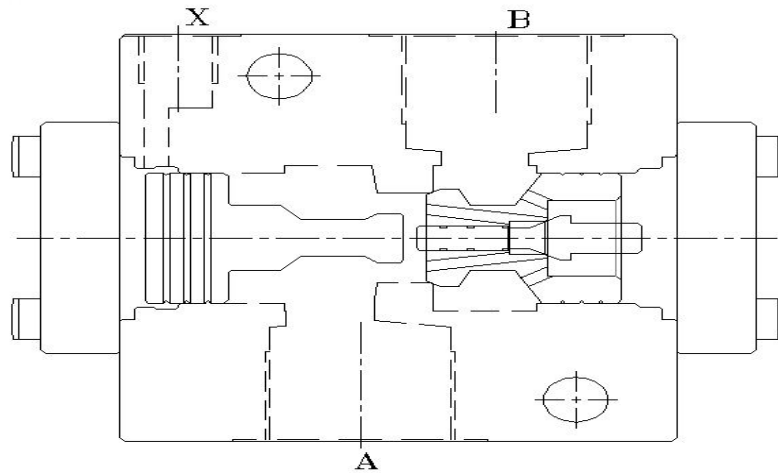
- Seat type valve.
- Pilot operated check valve available in two types.
- Sub-plate type pilot operated check valve, Threaded type pilot operated check valve.
- Pilot operated check valve are available in 5 sizes 06 to 30 in threaded type body and in 3 sizes 10 to 30 in subplate type body



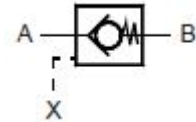
TECHNICAL DATA:

Sr. No.	Characteristics	Technical data
1.	Construction	Seat type valve, with decompression poppet
2.	Mounting style	Threaded port or subplate mounting
3.	Interface for subplate mounting	As per ISO 5781 - - AG-06-2-A ISO 5781 - - AH-08-2-A ISO 5781 - - AJ-10-2-A
4.	Mounting position	Optional
5.	Flow direction	Free flow from A to B Piloted flow from B to A
6.	Cracking pressure	1 bar
7.	Operating pressure	315 bar for ports A, B and X
9.	Hydraulic medium	Mineral oil
10.	Viscosity rang	10 cst to 380 cst
11.	Fluid temperature range	-20°C to +70°C
12.	Fluid cleanliness requirement	As per ISO code 16/13 or better
13.	Max. flow handling capacity	Size l/min 10 80 20 160 30 350

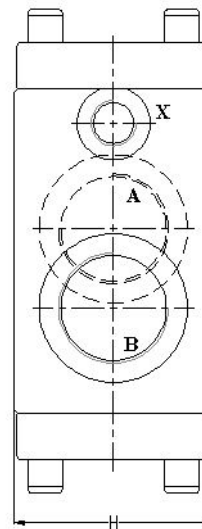
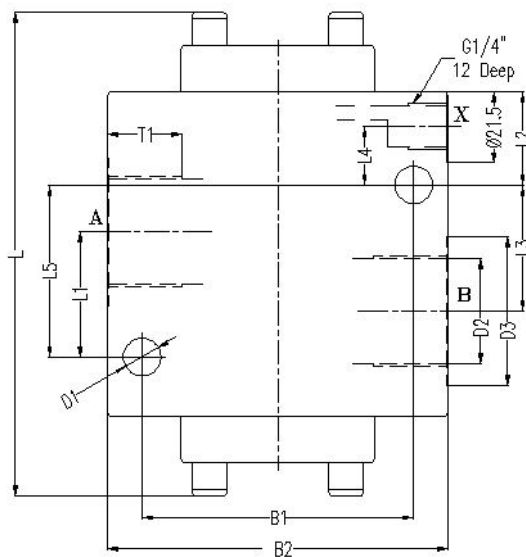
SECTION:



Hydraulic symbol



UNIT DIMENSION:



Dimensions in mm.



TABLE:

SIZE	Mass Kg.	B1	B2	L	L1	L2	L3	L4	L5	H	T1	ØD1	ØD2	ØD3
10	2.5	66.5	85	118	27.5	28	23	15.5	33.5	48	19	11	G1/2	28.5
15	4.3	79.5	100	142	36.70	27.2	37	17.2	50.5	58	22	11	G3/4	35
20	4.3	79.5	100	142	36.70	27.2	37	17.2	50.5	58	22	11	G1	43.5
25	7.8	97	120	173	54.5	26	53	16	73.5	75	23	11	G1 1/4	48.5
30	7.8	97	120	173	54.5	26	53	16	73.5	75	23	11	G1 1/2	56.5

SUBPLATE MOUNTING VALVE:

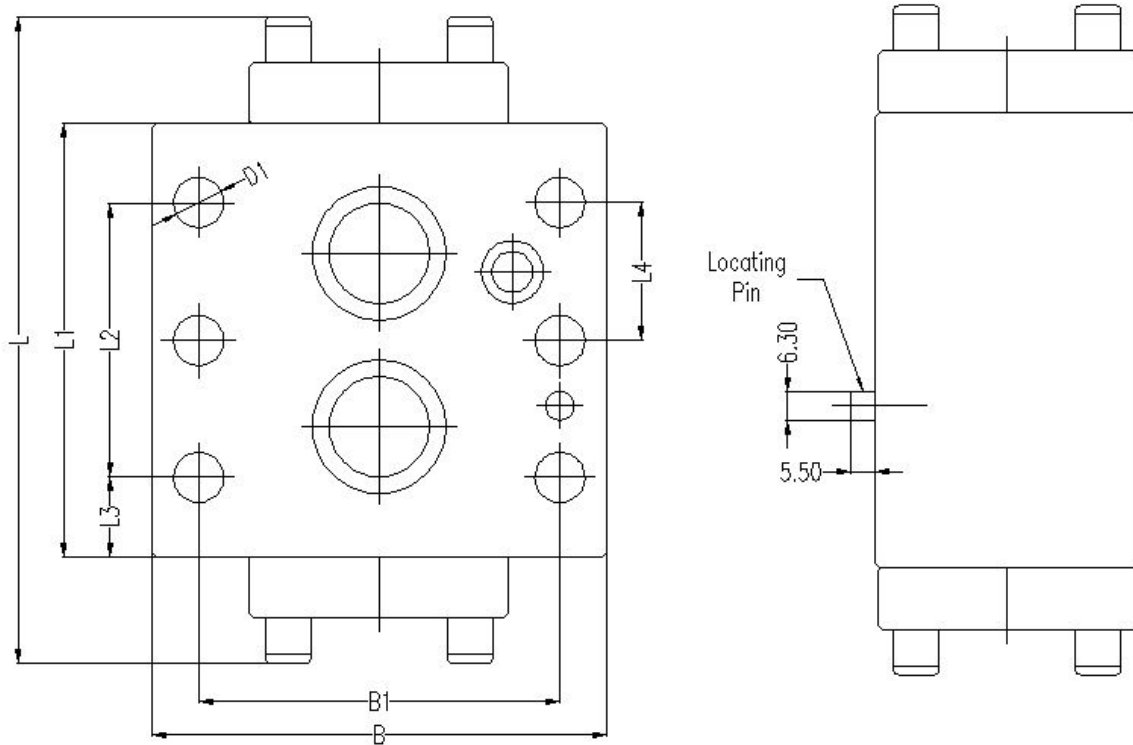


TABLE:

Size	Mass Kg.	B	B1	ØD1	L	L1	L2	L3	L4
10	2.6	85	66.7	11	118	80	43	18.5	--
20	4.4	100	79.5	11	142	95	60.4	17.3	--
30	8.3	120	97	11	173	115	84.2	15.4	42.1

SUBPLATES:

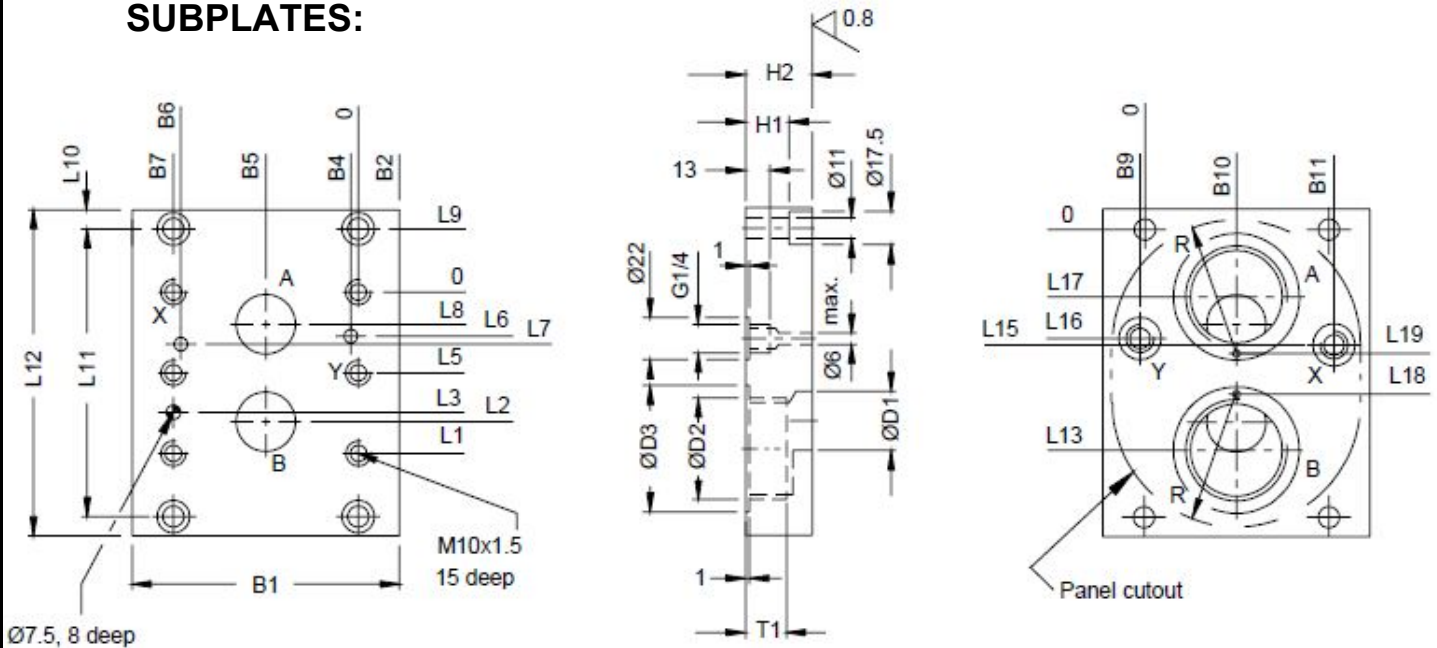
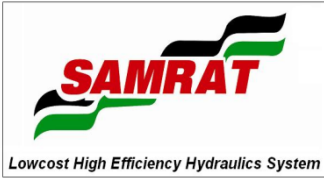


TABLE:

Size	Model	Mass kg.	B1	B2	B5	B6	B7	B10	B11	D1	D2	D3	H2
10	PC10S10	2.4	86	9.7	33.3	58.7	66.7	33.5	58.7	13	G1/2	30	29
20	PC20S20	5.2	112	16.3	39.7	73	79.4	39.7	75	22	G1	44	45
30	PC30S30	8.5	140	21.6	48.4	92.9	96.8	48.4	98.5	31	G1 1/2	60	47

Size	Model	H1	L1	L2	L3	L5	L7	L8	L9	L10	L11	L12	L13
10	PC10S10												75
20	PC20S20	25	60.3	49.2	44.5	--	20.8	11.1	22	16	104	136	82
30	PC30S30	35	84.1	67.5	62.7	42.1	24.6	16.7	33	10	150	170	115

Size	Model	L15	L17	L18	L19	R	T1	Valve fixing screws (S.H.C.S.)	Tightening torque Nm
10	PC10S10	53.3	31	68	39	40	14	M10×60 L – 4 Nos.	70
20	PC20S20	42.6	22	57	47	52	18	M10×70 L – 4 Nos.	
30	PC30S30	60	35	90	60	65	22	M10×90 L – 4 Nos.	



PILOT OPERATED
CHECK VALVE
Model: - PCI

5

Ref No. 011
Released 27/3/2015

ORDERING CODE:

PCI	10	T	11
------------	-----------	----------	-----------

Pilot operated check valve
Internal drain

Valve size
Size
10=size 10
15=size 15
20=size 20
25=size 25
30=size 30

Design code subjected to
change but installation
dimensions remain same
for design code 10 thru 19

Subplate mounting =S
Threaded Body =T

SAMRAT HYDRAULICS PVT. LTD.

Vavdi village road, Gondal Road, N.H., Survey No. 46,
Vavdi – 360004. Dist. RAJKOT (Gujarat - India)

MO: - +91 98243 96880

E-mail: samrathydraulics@gmail.com
Web: www.samrathydraulics.com