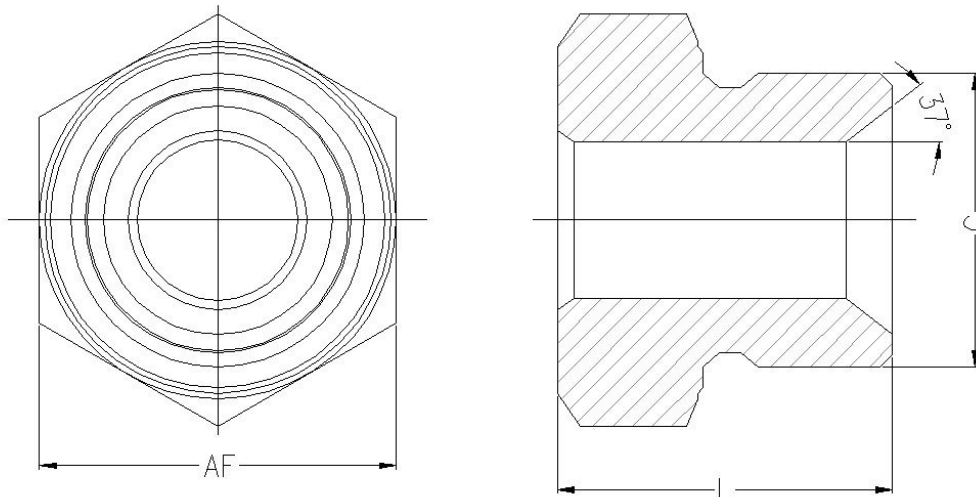


## HALF ADAPTER:

- Half Adapter is one side threaded adapter.
- It is zinc coated so its corrosion proof and rust proof.
- High quality finishing for good clamping.



## SECTION:



## TABLE:

MODEL	AF	G	L	WEIGHT* gm
NG 06 H	19	1/4"	21	30
NG 08 H	22	3/8"	23	42
NG 10 H	27	1/2"	26	68
NG 15 H	32	3/4"	30	110
NG 20 H	41	1"	33	190
NG 25 H	50	1 1/4"	37	300
NG 30 H	55	1 1/2"	39	360

\* Weight based on carbon steel

**NOTE: WE ALSO MANUFACTURE HALF ADAPTER AS PER CUSTOMER REQUIREMENT**

**SAMRAT HYDRAULICS PVT. LTD.**

Vavdi village road, Gondal Road, N.H., Survey No. 46,  
Vavdi – 360004. Dist. RAJKOT (Gujarat - India)

**MO: - +91 98243 96880**

E-mail: [samrathydraulics@gmail.com](mailto:samrathydraulics@gmail.com)

Web: [www.samrathydraulics.com](http://www.samrathydraulics.com)