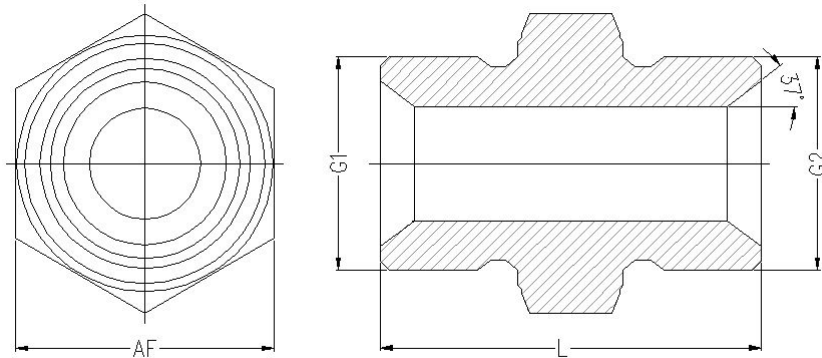


## Adapter

- Adapters are use for clamping hydraulic components.
- We manufacture good quality adapters.
- It is zinc coated so its corrosion proof and rust proof.
- High quality finishing for good clamping.



## SECTION:

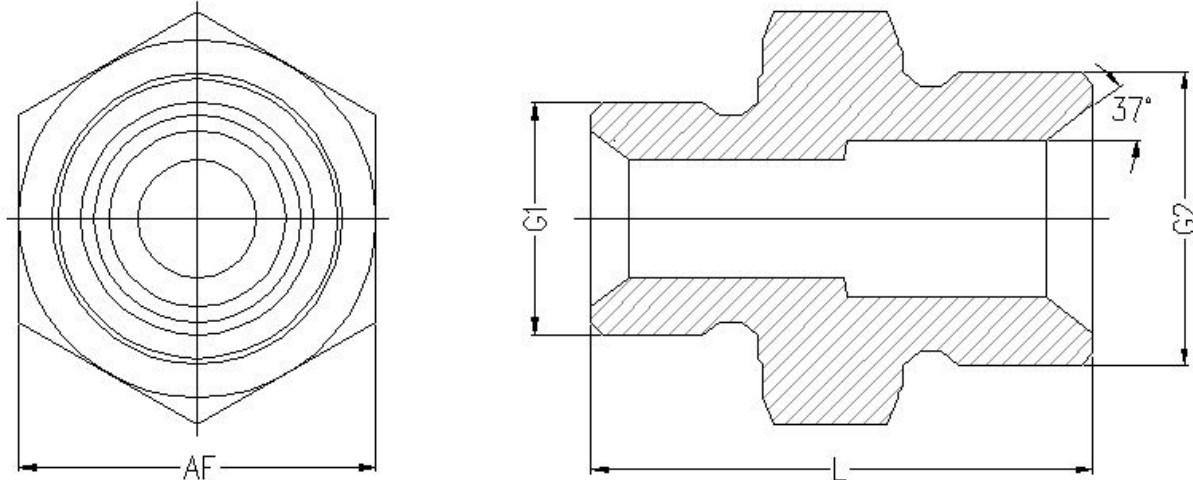


## TABLE:

MODEL	AF	L	G1	G2	WEIGHT* gm
NG 06 06 A	19	33	1/4"	1/4"	35
NG 08 08 A	22	36	3/8"	3/8"	56
NG 10 10 A	27	41	1/2"	1/2"	90
NG 15 15 A	32	47	3/4"	3/4"	160
NG 20 20 A	41	52	1"	1"	240
NG 25 25 A	50	59	1 1/4"	1 1/4"	410
NG 30 30 A	55	62	1 1/2"	1 1/2"	500

\* Weight based on carbon steel

**SECTION:**



**TABLE:**

MODEL	AF	L	G1	G2	WEIGHT*
NG 06 08 A	22	35	1/4"	3/8"	51 gm
NG 06 10 A	27	38	1/4"	1/2"	80 gm
NG 08 10 A	27	39	3/8"	1/2"	80 gm
NG 10 15 A	32	45	1/2"	3/4"	95 gm
NG 10 20 A	41	48	1/2"	1"	225 gm
NG 15 20 A	41	50	3/4"	1"	230 gm
NG 20 25 A	50	56	1"	1 1/4"	380 gm
NG 20 30 A	55	61	1"	1 1/2"	460 gm
NG 25 30 A	55	61	1 1/4"	1 1/2"	490 gm

**NOTE: WE ALSO MANUFACTURE ADAPTER AS PER CUSTOMER REQUIREMENT**

**SAMRAT HYDRAULICS PVT. LTD.**

Vavdi village road, Gondal Road, N.H., Survey No. 46,  
Vavdi – 360004. Dist. RAJKOT (Gujarat - India)

**MO: - +91 98243 96880**

E-mail: [samrathydraulics@gmail.com](mailto:samrathydraulics@gmail.com)

Web: [www.samrathydraulics.com](http://www.samrathydraulics.com)